



NOLOGY[®]

SILVER[®]

by BRISK[®]

D Metal Shell Design

D Complies with relevant ISO standard

R Interference Suppression

No interference suppression

R Interference suppression

15 Heat Range

Hot

Cold

19 18 17 16 15 14 12 10 08

L Spark Gap Design

Not Projected insulator tip

Y Projected insulator tip

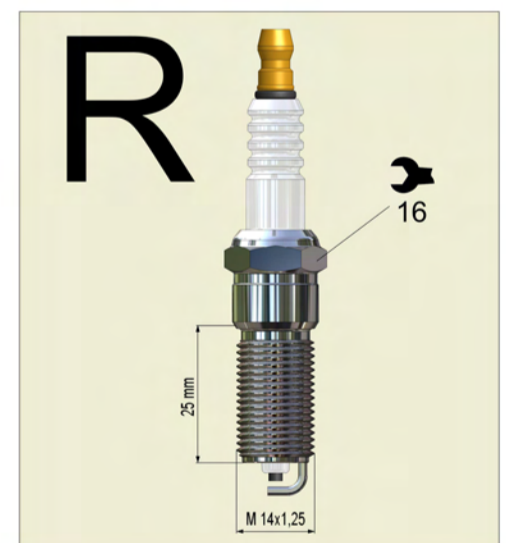
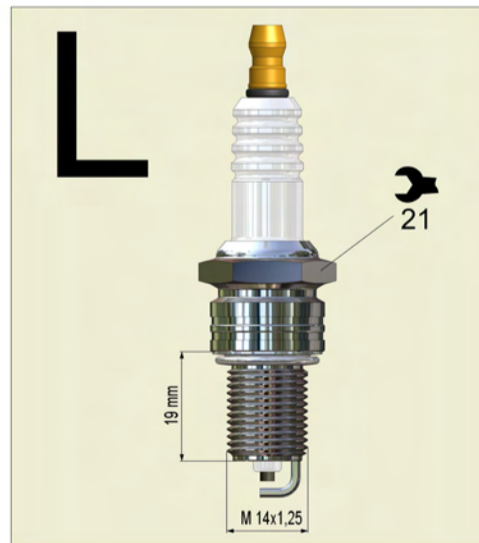
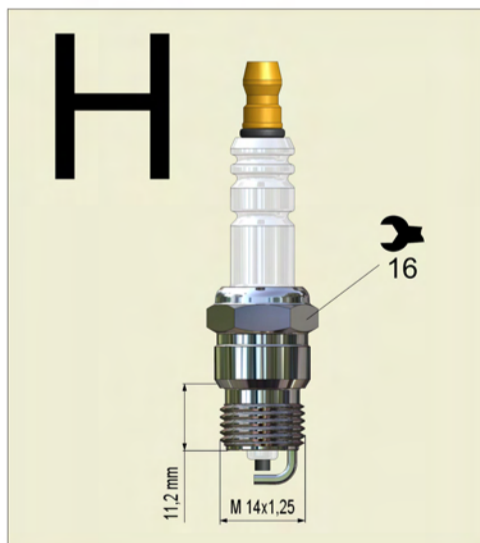
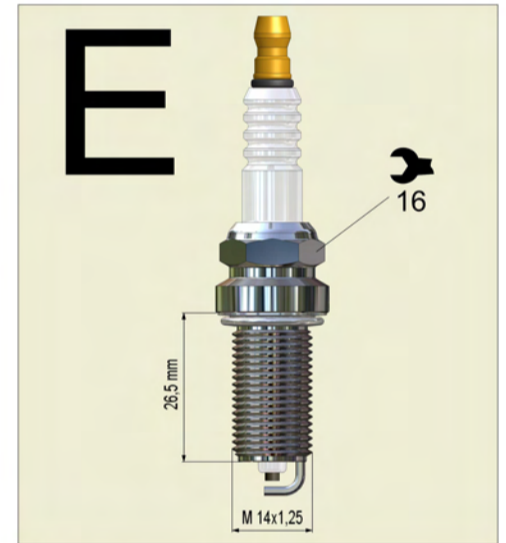
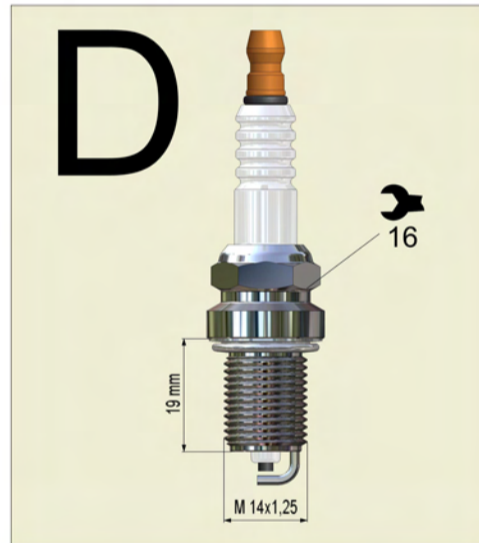
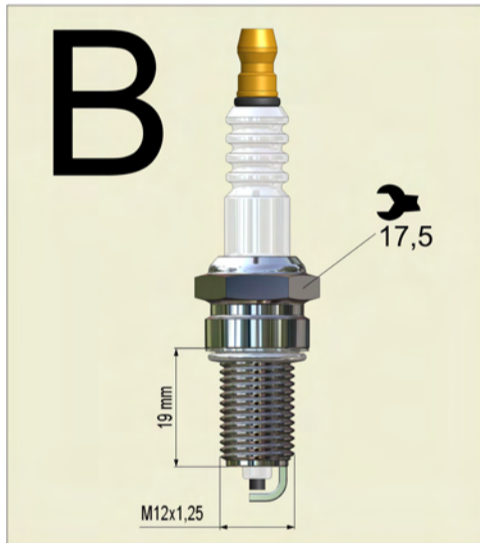
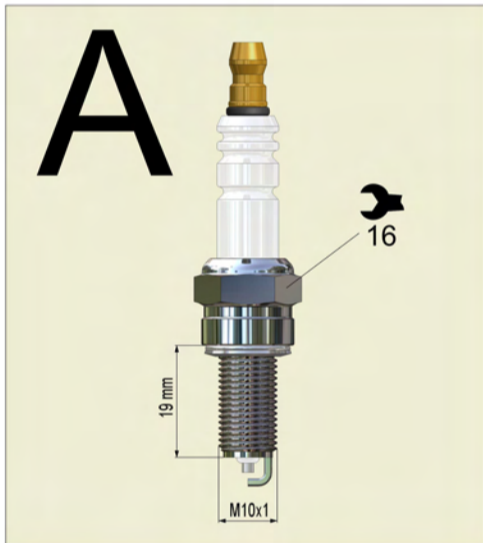
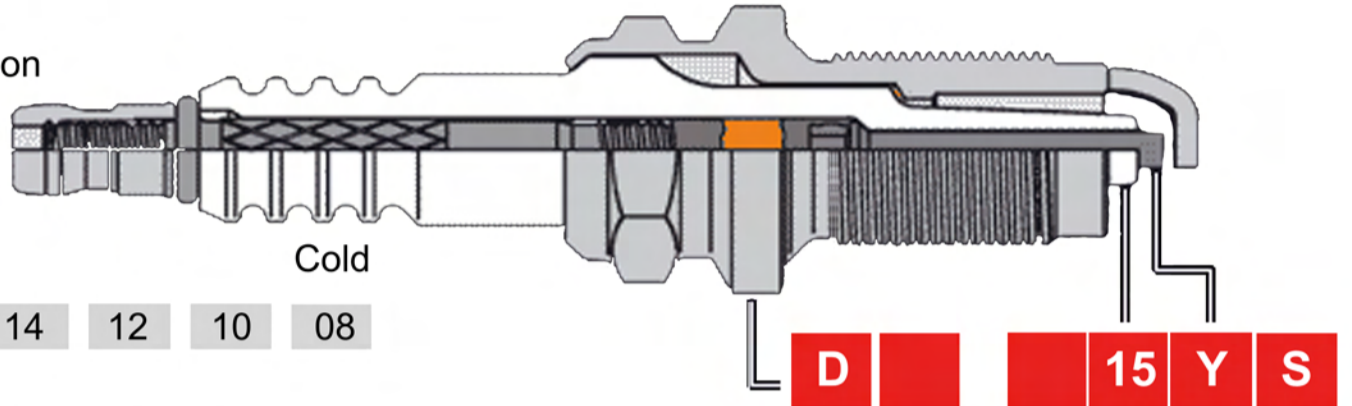
L Extremely projected insulator tip

S Electrode Material

S Silver center electrode

I Spark Gap

0.7 mm



Nology Silver™				
ITEM #	Type	SIZE	HEAT-RANGE	
150 141 010	H4YS	M14x1.25 - 0.46" reach, Tapered, 16mm Hex (5/8") Non-Resistor	6-8	
150 141 020	G4YS	M14x1.25 - 17.5mm reach (0.7"), Tapered, 16mm Hex (5/8") Non-Resistor	6-8	
150 141 030	D4YS	M14x1.25 - 19mm reach (3/4"), Gasket, 16mm Hex (5/8") Non-Resistor	6-8	
150 141 040	L7YS	M14x1.25 - 19mm reach (3/4"), Gasket, 21mm Hex (13/16") Non-Resistor	4-6	
150 141 050	L4YS	M14x1.25 - 19mm reach (3/4"), Gasket, 21mm Hex (13/16") Non-Resistor	6-8	
150 141 060	L0S	M14x1.25 - 19mm reach (3/4"), Gasket, 21mm Hex (13/16") Non-Resistor	9-10	
150 141 070	R4YS	M14x1.25 - 25 mm reach, Tapered, 16mm Hex (5/8") Non-Resistor	6-8	
150 141 080	ER4YS	M14x1.25 - 26.5mm reach, Gasket, 16mm Hex (5/8") Resistor	6-8	
150 121 090	B2S	M12x1.25 - 19mm reach (3/4"), Gasket, 17.5mm Hex, Non-Resistor	8-9	
150 101 100	A0S	M10x1.00 - 19mm reach (3/4"), Gasket, 16mm Hex (5/8") Non-Resistor	9-10	